

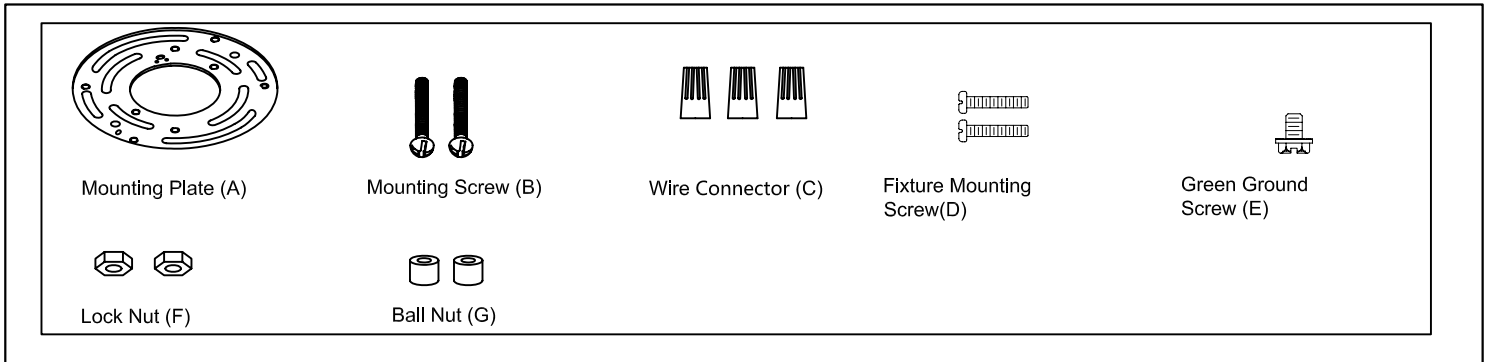
ASSEMBLY AND INSTALLATION INSTRUCTIONS

C0226

WARNING: TO AVOID RISK OF ELECTRICAL SHOCK, BE SURE TO SHUT OFF POWER BEFORE INSTALLING OR SERVING THIS FIXTURE.

NOTES: 1. Before installing, consult local electrical codes for wiring and ground requirements.
2. READ AND SAVE THESE INSTRUCTIONS.

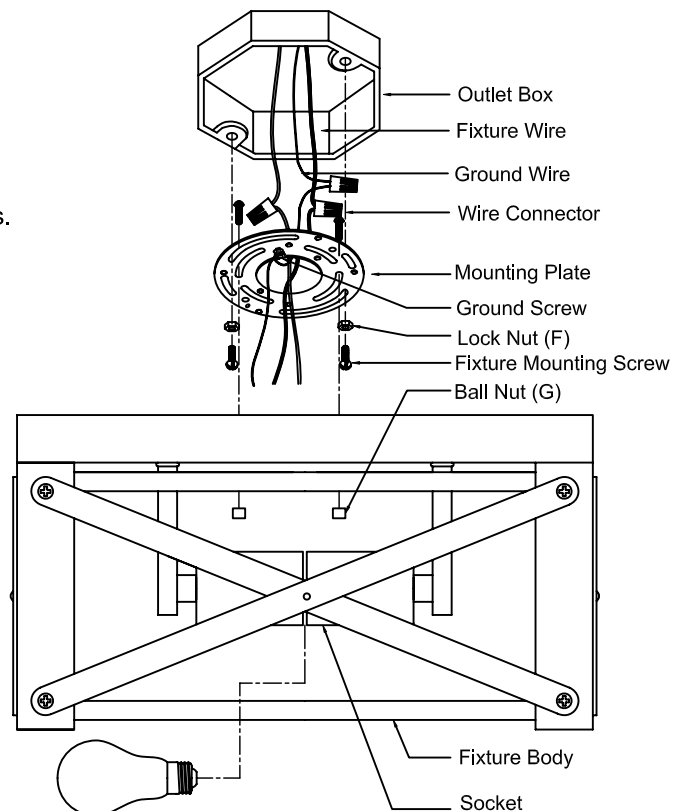
Hardware Package (included):



Installation Steps

Turn off the power at fuse or circuit box.

1. Attach two fixture mounting screws to the mounting strap, and then secure it with two lock nuts.
Adjust the length of the fixture mounting screws if necessary.
2. Attach the mounting plate to the outlet box using two mounting screws.
3. Pull out the source wires from the outlet box. Make wire connections using wire connectors as follows:
 - Connect the smooth-coated wire from the fixture to the black wire from the power source.
 - Connect the ribbed-coated wire from the fixture to the white wire from the power source.
 - Attach the fixture ground wire to the mounting plate with the green ground screw, and then connect it to the house ground wire with wire connectors.
 Carefully put the wires back into the outlet box.
4. Attach the fixture canopy to the mounting plate by inserting the fixture mounting screws, and then secure it with two ball nuts.
5. Install the bulb (not included).
Check relamping label at socket area or packaging for maximum allowed wattage.
6. Angled mounting recommended for a vaulted or angled ceiling.



Bulb Type A Max.60W
(not included)

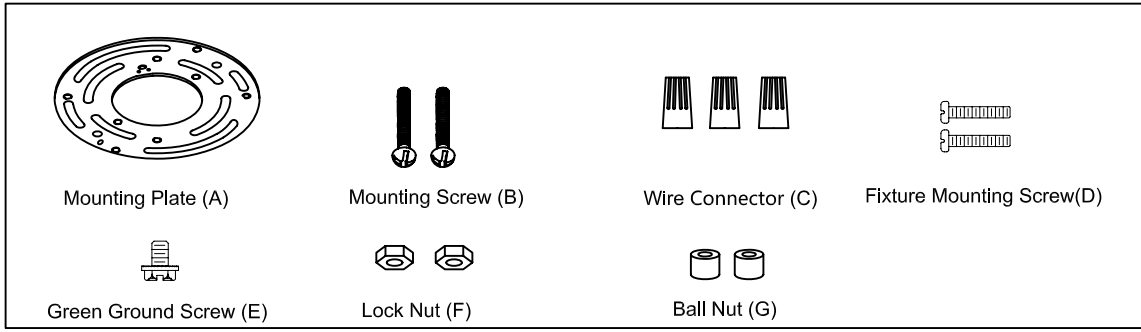
 **VAXCEL**

190507

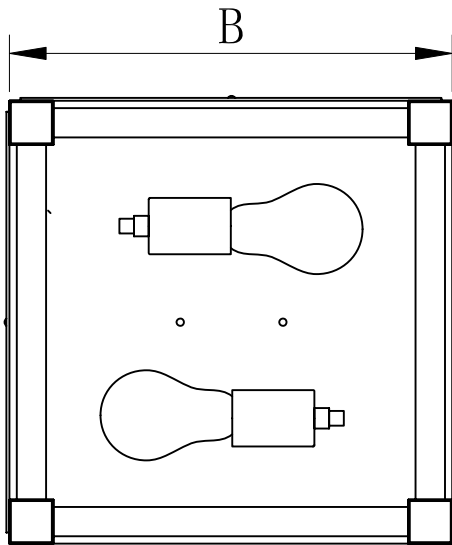
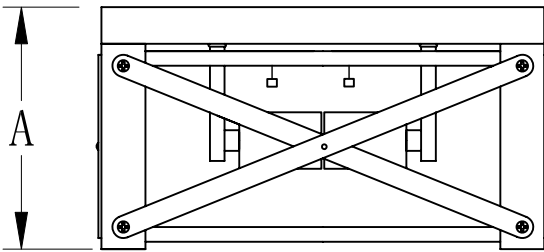
Turn off the power at fuse or circuit box.

The following parts are available for re-order if damaged or missing.

Spare Parts List:



Mounting Hardware
6100MM (1 SET)



A: 6-1/2" H
B: 12" L